

## INSTALLATION INSTRUCTIONS

### 25370 Reflector Replacement Kit

THIS KIT is supplied by Strong International to allow users of Highlight II and Super Highlight II xenon projection consoles to replace the standard 15 inch reflector with a 12.8 inch replacement reflector. The 12.8 inch reflector improves lamphouse light output when 4000 to 7000 watt xenon bulbs are installed.

1. Disconnect all AC power to the console. Make certain the xenon bulb has cooled to room temperature, and, observing all safety procedures, remove and store the xenon bulb.
2. Dismount the 15 inch reflector (Figure 3, Item 18) by removing the (3) mounting screws (Figure 3, Item 2) and spacers (Figure 3, Item 19).
3. Dismount the nylon and brass bulb support collet from the bulb positioning control mounted to the back of the bulb enclosure. Remove the 21-48027 snap ring located at the center of the bulb focus screw, and withdraw the collet from the bulb compartment.
4. Dismount the front bulb support assembly (Figure 3, Items 8 & 15) by removing the (2) nylon screws (Figure 3, Item 9). Dismount the arc stabilization magnet (Figure 3, Items 12 & 14). Retain all mounting hardware. Mounting block (Figure 3, Item 11) remains mounted to the base plate.
5. Insert the nylon end of the bulb support collet (ref. Step 3) into the end of the aluminum collet extension (Figure 4, Item 1) and secure using the (2) 10-32 set screws. Install the collet and the collet extension into the bulb positioning assembly and secure using the 21-48027 snap ring.
6. Install the bulb support extension plate (Figure 4, Item 14) as shown on Figure 4 to the bulb support mounting block (Figure 3, Item 11). Secure using the (2) 5/16-18 x 3/4" hex head screws supplied (Figure 4, Item 16).
7. Mount the bulb support yoke and casting (Figure 4, Items 9-12) and the insulator (Figure 4, Item 13) to the extension plate (Figure 4, Item 14). Secure using the original (2) nylon screws (Figure 4, Item 17). Mount the arc stabilization magnet (ref. Step 4) to the extension plate as shown on Figure 4 using the original mounting hardware. Loosen the set screw on the top of the magnet clamp (Figure 4, Item 19) and *reverse the magnet* so the SOUTH pole is directed toward the operator's access door.
8. Locate and identify the (3) reflector spacer rods (Figure 4, Item 4). The rods are drilled and tapped 1/4-20 at both ends; one end 1/2" deep, and the other end 3/4" deep. Thread the (3) headless 1/4-20 set screws into the 1/2" deep holes. Screw the protruding studs of the headless set screws into the (3) tapped holes in the bulkhead casting (Figure 4, Item 3) and secure the (3) spacers to the bulkhead casting.
9. Mount the stainless steel cooling shroud (Figure 4, Item 5) to the (3) spacer rods as shown on Figure 4. Secure first the lower (2) positions using the 1/4-20 x 5/8" hex head screws; insert the upper reflector mounting bracket (Figure 4, Item 6) as shown before installing the upper screw.

## **25370 KIT INSTALLATION**

Page 2

10. Mount the (2) lower reflector supports (Figure 4, Item 21) to the cooling shroud as shown. Do not tighten the (2) 10-32 mounting screws.
11. Install the 12.8" reflector (Figure 4, Item 8), engaging the reflector flange into the grooves in the reflector supports (Figure 4, Items 6 & 21). Tighten the (2) 10-32 screws securing the lower supports (Figure 4, Item 21).
12. Remove the projection lens and repeat the string-alignment procedure detailed in the Instruction Manual. A new centering plug for the 12.8" reflector is included in the 25370 Kit.
13. Install the xenon bulb and perform the bulb alignment procedures detailed in the Instruction Manual.

LAMPHOUSE ASSEMBLY,  
with 15 inch Reflector

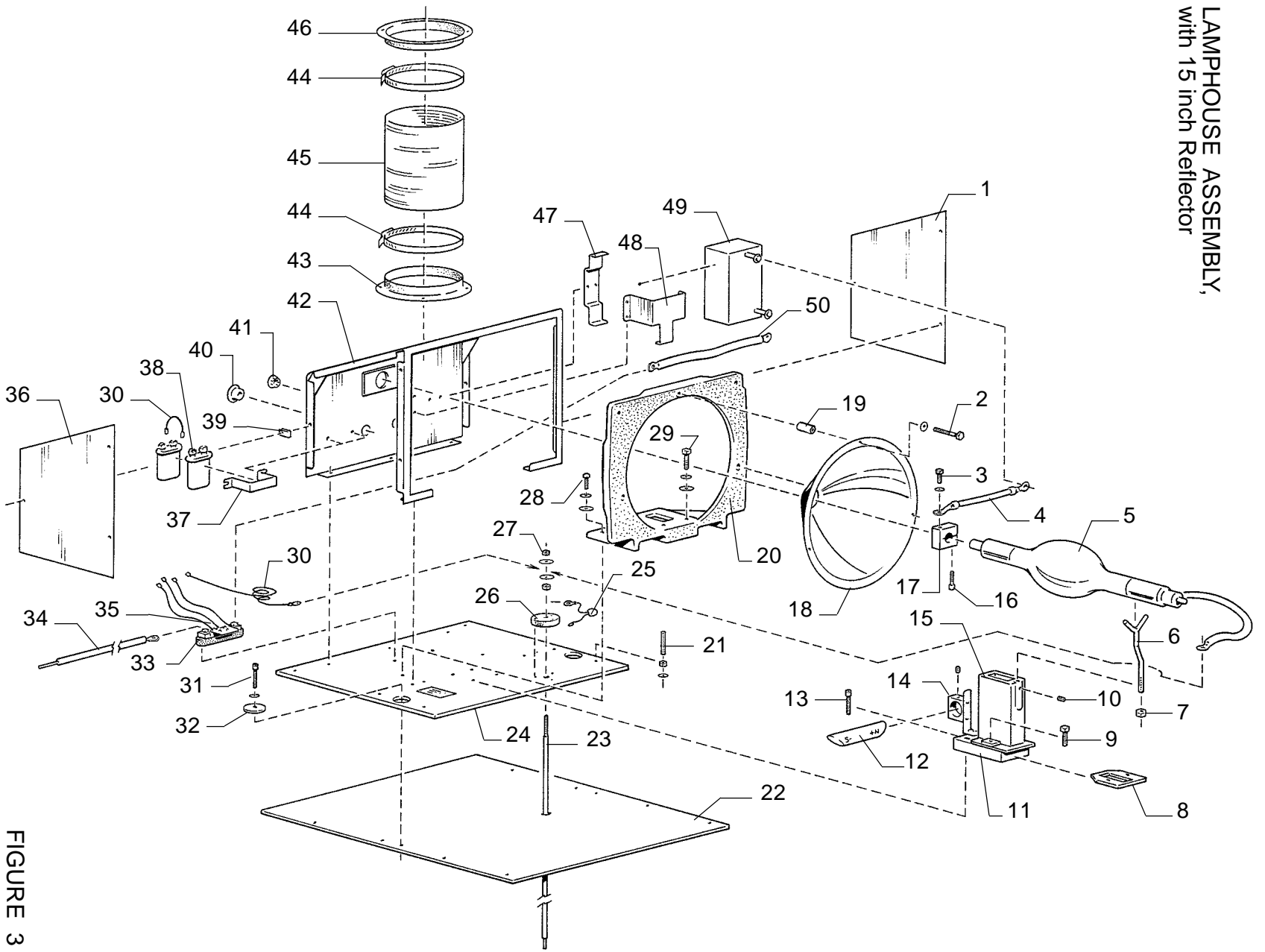


FIGURE 3

12.8 INCH REFLECTOR MOUNTING  
Kit No. 25370

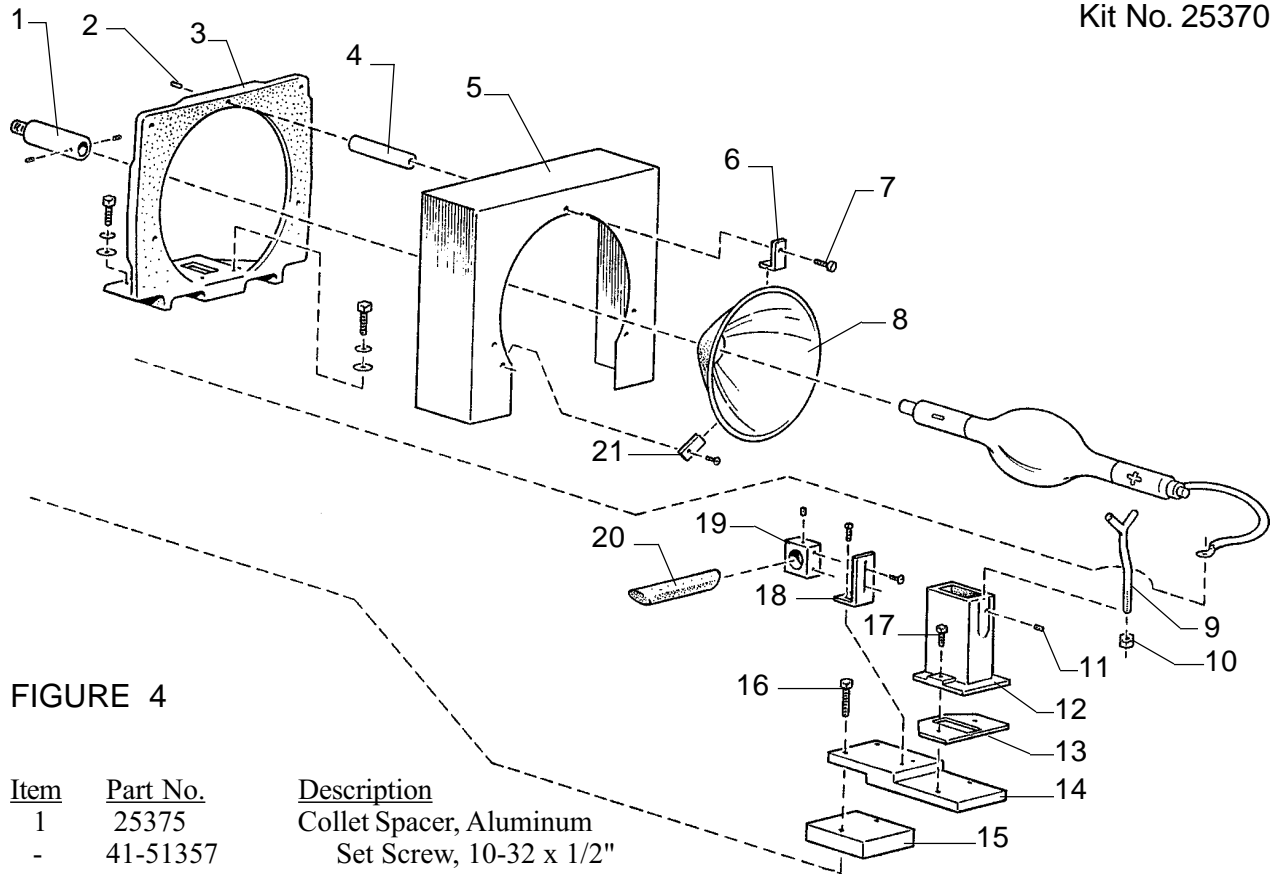


FIGURE 4

Item	Part No.	Description
1	25375	Collet Spacer, Aluminum
-	41-51357	Set Screw, 10-32 x 1/2"
2	41-51531	Set Screw, 1/4-20 x 2" Headless
3	25104	Reflector Bulkhead Casting (Figure 3, Item 20)
4	25369	Spacer, 12.8" Reflector (3 req'd.)
5	25371	Reflector Cooling Shroud
6	25367	Upper Mounting Bracket, 12" Reflector
7	41-51121	Screw, 1/4-20 x 5/8" Hex Head
8	25361	Reflector, 12.8" Dichroic Coated
9	70162	Bulb Support Yoke (Figure 3, Item 6)
10	41-35013	Locknut, 10-32 Hex (Figure 3, Item 7)
11	41-51443	Set Screw, 8-32 x 1/4" (Figure 3, Item 10)
12	40107	Bulb Support Casting (Figure 3, Item 15)
13	23980	Insulator (Figure 3, Item 8)
14	24341	Extension Plate, Bulb Support
15	23914	Support Block (Figure 3, Item 11)
16	41-51137	Screw, 5/16-18 x 3/4" Hex Head (2 req'd.)
17	01796	Screw, Nylon Screw (Figure 3, Item 9)
18	71424	"L" Bracket, Magnet Clamp
19	81137	Magnet Clamp (Figure 3, Item 14)
20	M15315	Arc Stabilization Magnet (Figure 3, Item 12)
21	25368	Lower Support, 12.8" Reflector (2 req'd.)
-	41-51102	Mounting Screw, 10-32 x 1/2" (2 req'd.)